

Davits

Ultra light weight for the fastest ships



Hypac is a world leader in providing lightweight, durable davits for a wide range of vessels.

The Hypac davit design is ultra-light weight compared with other competitor davit designs while still maintaining strength and durability. Hypac davits are available with full SOLAS, ABS, EU and USCG compliance or as a provision davit, with remote control stand for remote operation.

At Hypac, we understand that not all our customer's needs are identical and that is why our dedicated Engineering team, carefully considers every davit to best match our customers applications.

Hypac

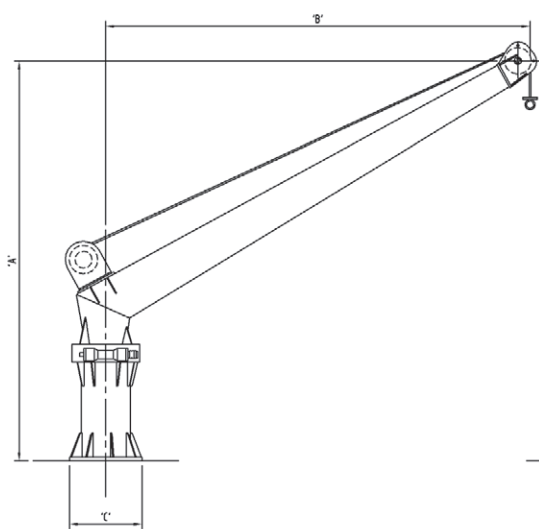


Select the rescue boat davit that best matches your vessel requirements

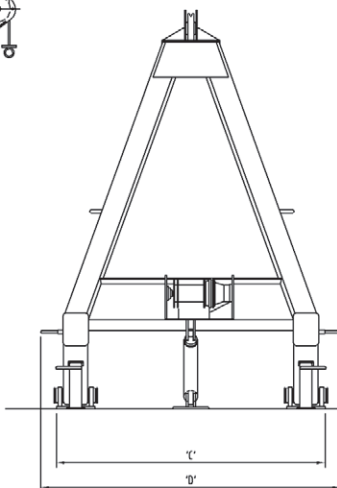
SOLAS Model	Safe Working Load kN	Tilt/Slew Reach m	Nominal Drop Height m	Power Input kW	Dimensions				Davit Weight kg
					A	B	C	D	
RBD15-35T	15	3.5	15	7.5	3140	2250	2220	2480	600
RBD15-35S	15	3.5	15	7.5	3300	3500	600	-	200
RBD20-40T	20	3.6	15	15	-	UNDER DEVELOPMENT		-	-
RBD20-40S	20	4.0	15	15	-	UNDER DEVELOPMENT		-	-

Alternative sizes, designs and other equipment are also available to meet your exact requirements. These specifications may change because of our commitment to continuous improvement.

Non SOLAS and tender boat davits have similar dimensions.



Slewing davit



Luffing davit

For more information on the Hypac range of equipment please contact us.

KEMP DECK EQUIPMENT PTY. LTD.

18-20 Shipwright Road Largs North
South Australia 5016

Phone: +61 (8) 82499433 Fax: +61 (8) 82420335

Email info@hypac.com.au ABN 27 609 817 772



www.hypac.com.au

Hypac



Kempgroup